

**pressure variation :**  
 pressure swing 0-16 bar max. operations 1.000  
 infinite operation of pressure swing within 20% of 16 bar

**operational characteristics / calculation characteristics :**

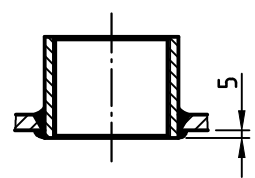
volume V (litre)	: 1500
max. working pressure PS (bar)	: 16
test pressure PT (bar)	: 22,88
min. working temp. TS (°C)	: -20
max. working temp. TS (°C)	: 50
fluid	: compressed air/nitrogen (fluid group 2)
location	: inside and outside building possible

**coating :**  
 inside : hot dip galvanized  
 outside : hot dip galvanized

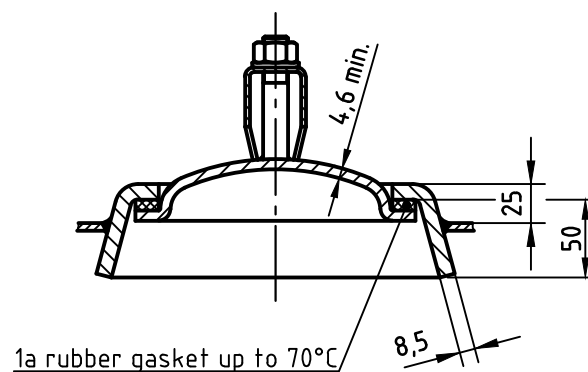
**manufacturing and testing**  
 acc. to PED 2014 / 68 / EU - AD 2000

**conformity benchmark :**  
 fluid group : 2  
 diagram : 2  
 categorie : IV  
 module : H1

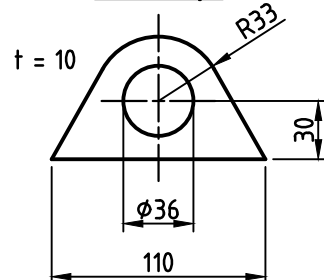
socket welding  
 drain and plug socket  
 inside flush



OAB 51 - handhole 100/150  
 tested components



carrier eye



scale:	1:15	description:	pressure vessel horizontal 1500 l 16 bar
our no.:	-		
order no.:	-	drawing no.:	MB 020102-2.1500V/E
used for:	M+B Standardvessel		
weight:	ca. 500 kg	drawing no. of design inspection:	MB 020102-2
sheet:	1		
of sheet:	1	revision:	A
date of plot:	24.06.2015	date of revision:	24.06.2015
file:	ENG-010831	revision only on CAD	