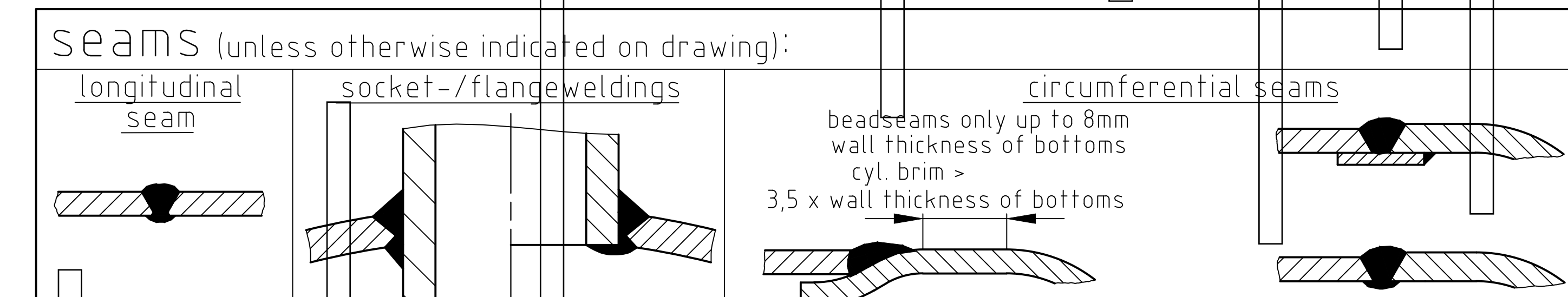
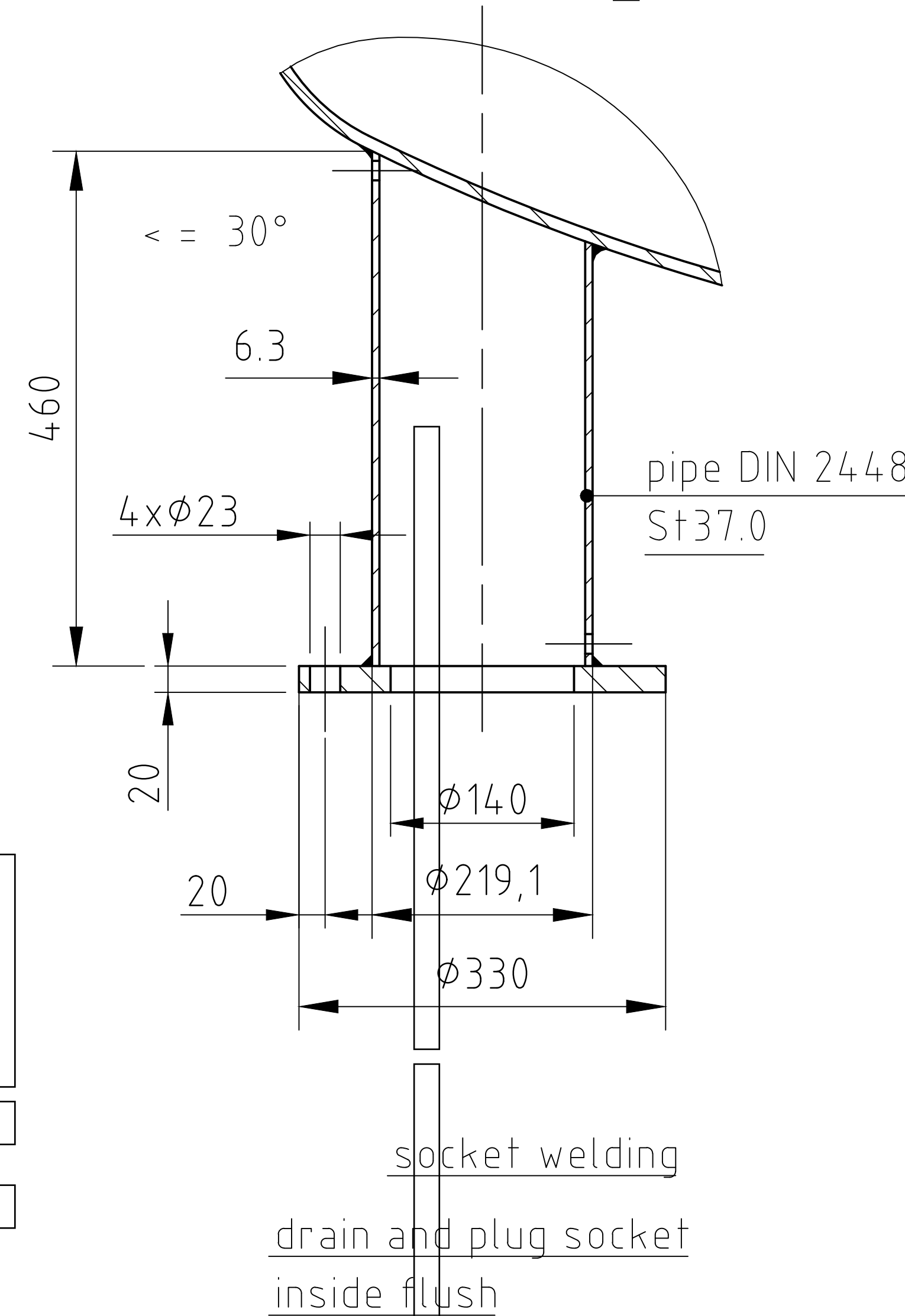
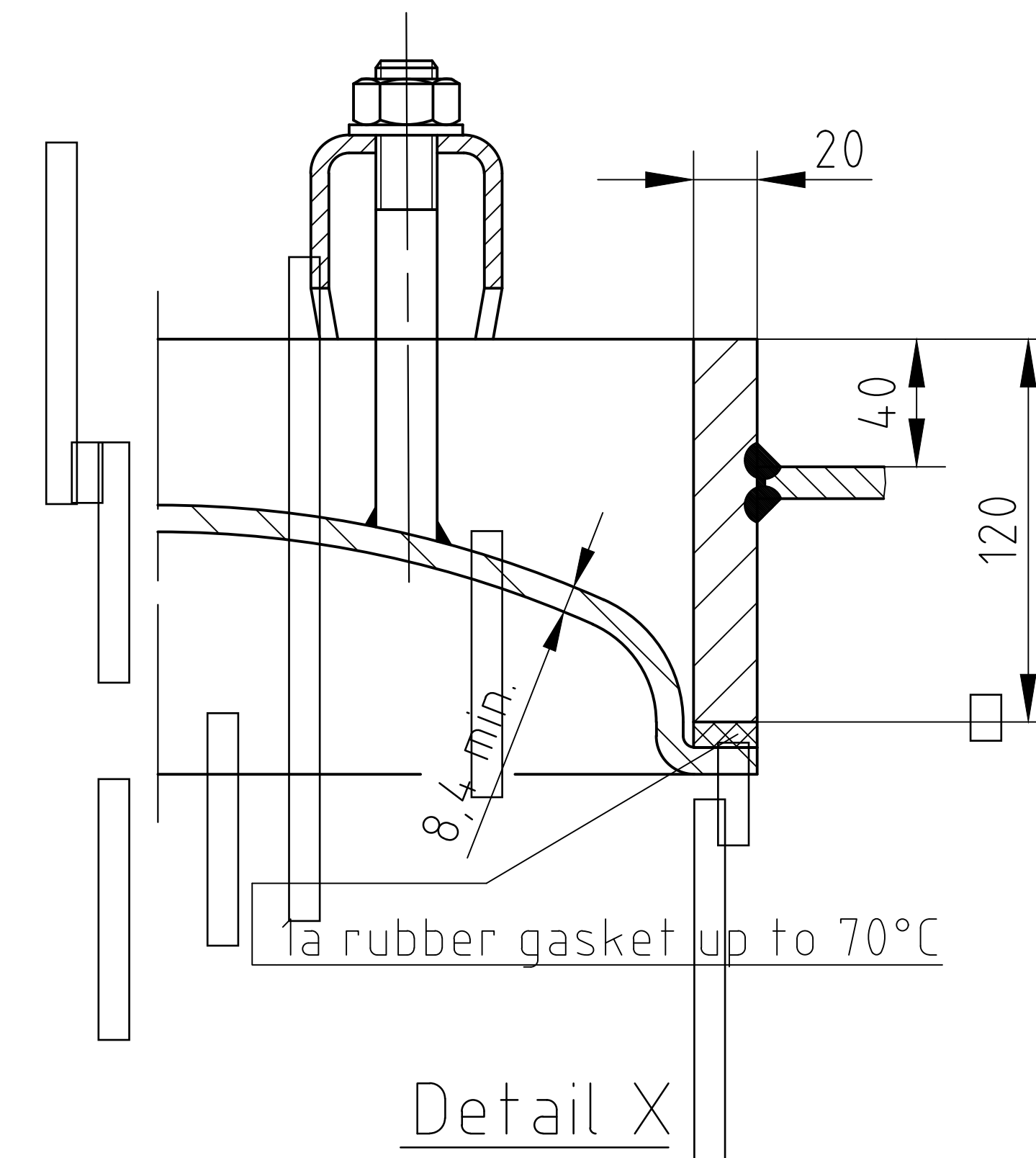


OAB 51 - manhole lock 320/420  
Tested components



pressure variation :	
pressure swing 0-16 bar max. operations 1.000	
infinite operation of pressure swing within 20% of 16 bar	
operational characteristics / calculation characteristics :	
volume V (litre)	: 9000
max. working pressure PS (bar)	: 16
test pressure PT (bar)	: 22,88
min. working temp. TS (°C)	: -10
max. working temp. TS (°C)	: 50
fluid	: compressed air / nitrogen (fluid group 2)
location	: inside and outside building possible

coating :  
inside : hot dip galvanized  
outside : hot dip galvanized

manufacturing and testing  
acc. to PED 2014 / 68 / EU - AD 2000

conformity benchmark :  
fluid group : 2  
diagram : 2  
categorie : IV  
module : H1

scale:	1:25
our no.:	-
order no.:	-
used for:	M+B Standardvessel
weight:	ca.2320 kg
sheet:	1
of sheet:	1
date of plot:	22.06.2015
file:	-

date	name
compl. 22.06.2015	CW
appr. 22.06.2015	SW

follow protection mark acc. DIN 34

description: pressure vessel upright 9000 l 16 bar	revision:	A
	date of revision:	22.06.2015
revision only on CAD		