

pressure variation :
 pressure swing 0-11 bar max. operations 1.000
 infinite operation of pressure swing within 20% of 11 bar

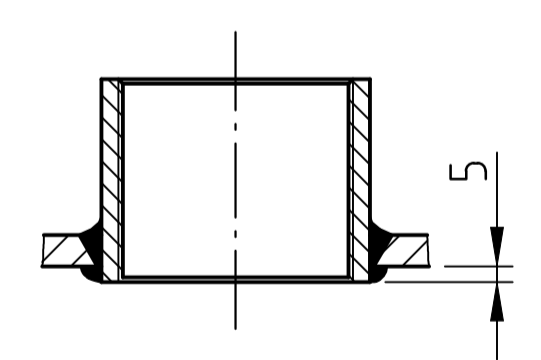
operational characteristics / calculation characteristics :
 volume V (litre) : 1500
 max. working pressure PS (bar) : 11
 test pressure PT (bar) : 15,73
 min. working temp. TS (°C) : -20
 max. working temp. TS (°C) : 50
 fluid : compressed air / nitrogen (fluid group 2)
 location : inside and outside building possible

coating :
 inside : raw
 outside : primed (if customer wishes lacquered)

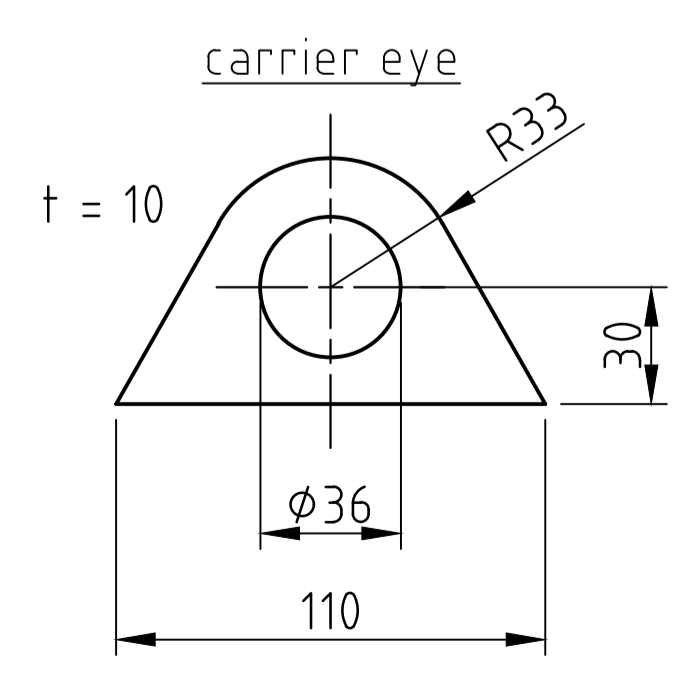
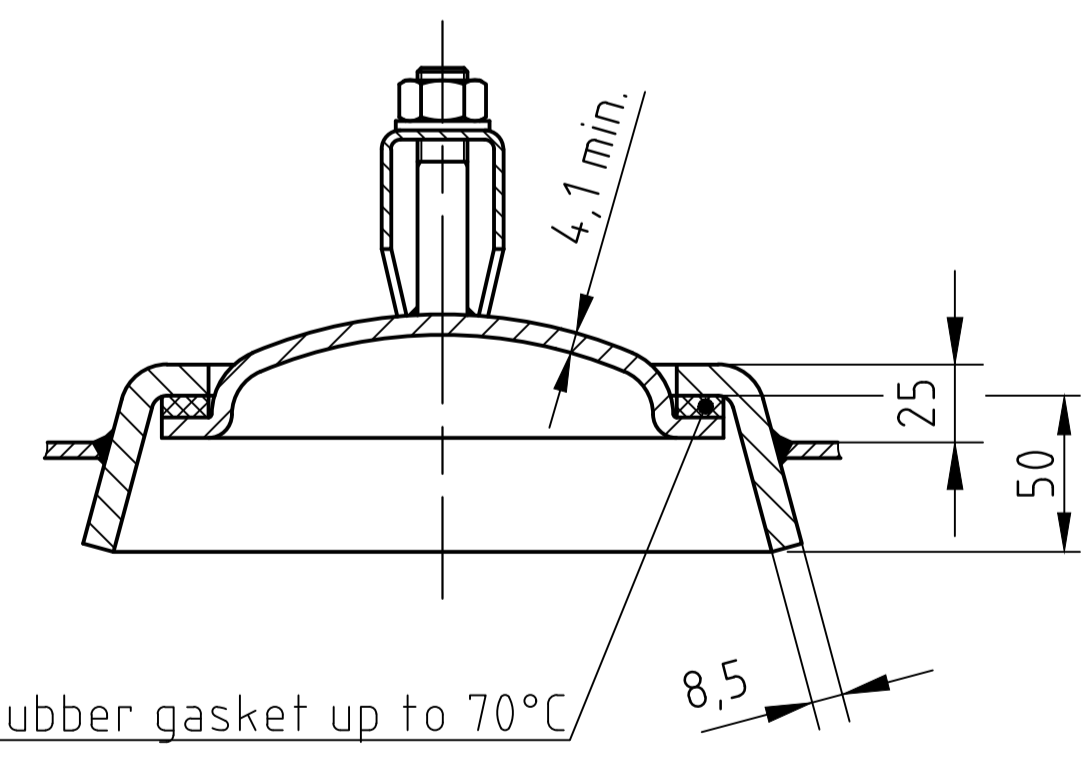
manufacturing and testing
 acc. to PED 2014 / 68 / EU - AD 2000

conformity benchmark :
 fluid group : 2
 diagram : 2
 categorie : IV
 module : H1

socket welding
 drain and plug socket
 inside flush



OAB 51 - handhole lock 100/150
 tested components



scale:	1:15
our no.:	-
order no.:	-
used for:	M+B Standardvessel
weight:	ca.390 kg
sheet:	1
of sheet:	1
date of plot:	22.06.2015
file:	ENG-010783

	date	name
compl.	22.06.2015	CW
appr.	22.06.2015	SW
follow protection mark acc. DIN 34		

description: pressure vessel horizontal 1500 l 11 bar		revision: A
drawing no.:	MB 020102-1.1500G/E	date of revision: 22.06.2015
drawing no. of design inspection:	MB 020102-1	revision only on CAD